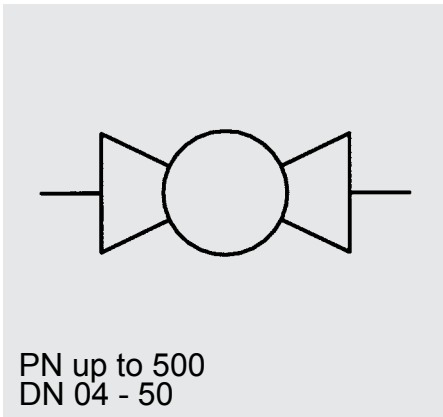


## Ball Valves with Pneumatic Actuator

**Model code**  
(also example order)

**KHB-G1/4-1114 AP.E 3/2DC E**



### Designation

Type of ball valve

### Actuator code

- AP = Pneumatic actuator
- .E = Spring return actuator
- .D = Double-acting actuator

### Directional valve options

- 3/2 = 3/2 directional NAMUR control valve
- 5/2 = 5/2 directional NAMUR control valve
- DC = 24 V
- AC = 230 V 50 Hz

### Limit switch box options

- E = Electro-mechanical, visual indication open and closed
- I = Contactless (inductive), visual indication open and closed

## Dimensions

Ball valves with pneumatic actuator	Single-return				Double acting				
	DN	A	B	C	D	A	B	C	D
04/06-SW09	182	91	108	5	139	70	88	5	
08/10/13	215	100	117	5	160	83	100	5	
16	222	120	140	5	182	91	108	10	
20	222	120	140	5	182	91	108	10	
25	294	120	140	5	215	100	117	10	
32	300	137	160	5	222	120	140	5	
40	350	172	198	5	294	120	140	5	
50	350	172	198	5	294	120	140	5	

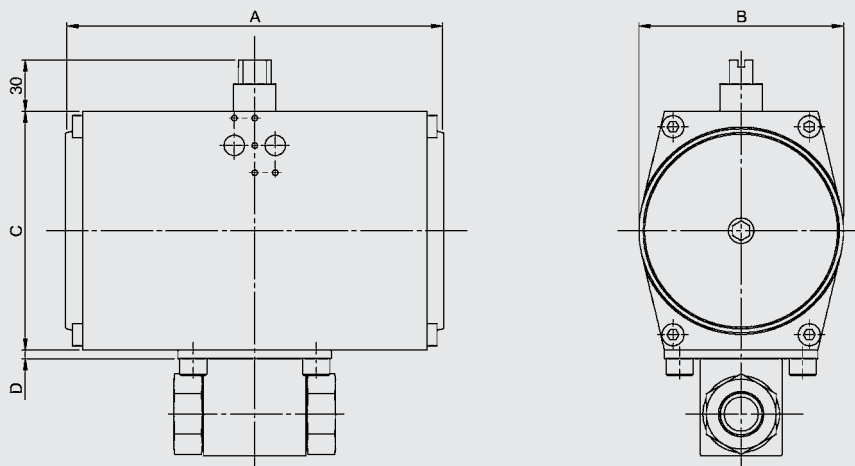
## Note

We recommend using an adapter plate when fitting a pneumatic actuator to block-type, sleeve-type and 3-way change-over ball valves.

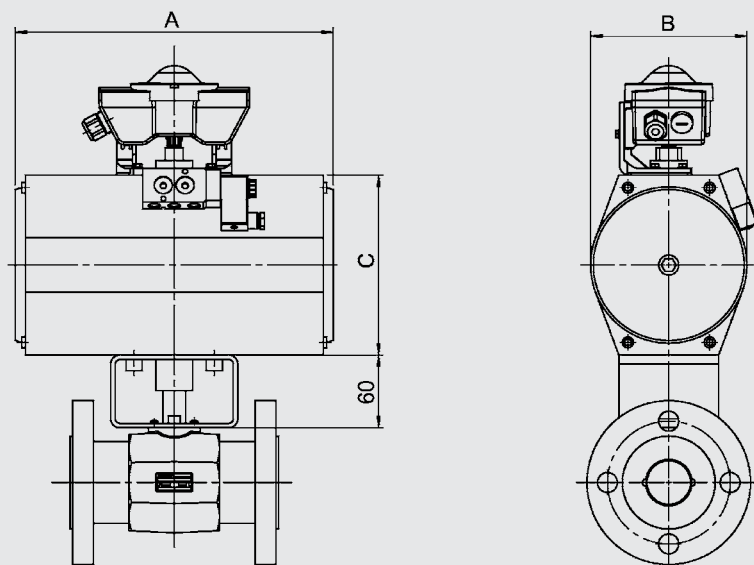
For flanged, manifold and 3-way and 4-way ball valves, a separate coupling is required for installation.

On request other versions are available to suit almost all applications.

## Installation using adapter plate



## Installation using separate coupling



## Technical specifications

Mounting position	Optional
Ambient temperature	-10 °C to +80 °C
Nominal pressure	Up to PN 500 (see pressure range)
Operating fluids	Mineral oil to DIN 51524 part 1 and part 2 (other fluids on request)
Temperature of operating fluid	-10 °C to +80 °C
<b>Spare Parts</b>	Seal kits available on request

## NOTE

The information in this brochure relates to the operating conditions and applications described.

For applications and operating conditions not described, please contact the relevant technical department.

Subject to technical modifications.